



НОВОСИБИРСКИЙ
ГОСУДАРСТВЕННЫЙ
УНИВЕРСИТЕТ

CAPITAL 100 US

FAÇADE LIGHTING

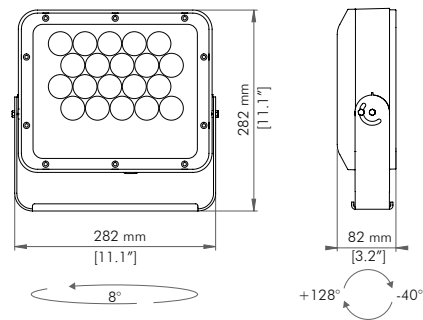
Fitted with an ultra-spot optics, **CAPITAL 100 US** delivers remarkable performances at medium to long distances from an extremely compact body. Tailored to the demanding needs of the most imaginative architectural lighting specifications, this flexible and highly versatile floodlight is suitable for a variety of installations with reduced mounting space requiring long-shot performance.



CAPITAL 100 US

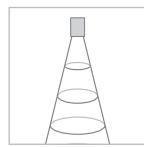
CAPITAL 100 US

GRIVEND 



BEAM ANGLE REFERENCE

ULTRA SPOT 3.2°



MAX OUTPUT
3300 lm
(US CW configuration)

PHOTOMETRIC DETAILS AVAILABLE ON OUR WEBSITE

FEATURES AND OPTIONS



ACCESSORIES



CODES

AL5005 CAPITAL 100

AL5007 CAPITAL 100 POLAR EDITION

OPTICS

US Ultra spot

LED TYPE

RN RGB+W 4000K
DW From 2700K to 6500K
CW Cold White 6500K
NW Natural White 4000K
WW Warm White 3000K

CONTROL SYSTEM

R DMX-RDM
W DMX-RDM wireless
D DALI

FINISH

W White RAL 9003
G GRIVEN Grey
A Anthracite RAL 7016
B Black RAL 9005

CABLE TYPE

S POWER IN, DMX IN, DMX OUT
C Monocable with connectors
M Monocable without connectors
D POWER IN, DALI IN, DALI OUT

NOTES

Unless an RDM compatible control is used, CAPITAL 100 US must always be purchased with AL1321 Infrared Remote Control. More CAPITAL 100 US units can be controlled with one AL1321.

TECHNICAL SPECIFICATIONS

CAPITAL 100 US is an IP67 compact floodlight, whose die cast aluminium body hosts 20 high brightness RGBW, Dynamic White, Cold White, Natural White, Warm White or, on request, monochrome power LEDs. Dimensions: 282 mm x 82 mm x 282 mm. Available in DMX, automatic and Master-Slave mode, it also features RFU (Remote firmware update), and RDM (Remote device management) functions. DALI or DMX-RDM wireless control available on request. Unless an RDM compatible control is used, one Infrared Remote Control AL1321 must always be purchased for one or more CAPITAL 100 US units in order to access DMX addressing, stand-alone operations and DMX channels configurations. Power supply: standard 100÷277V / 50-60Hz. Power consumption: 0.24A @ 230V / 53W max. An Electrical Class I appliance, it also features self-resetting fuse protection as well as integrated electronic thermal protection management. The Polar Edition, fitted with an integrated de-icing system with electrically heated glass, is available on request. Operating temperature: -40°C to 50°C (-40°F to 122°F).

DIGITAL CONTROL SYSTEM SPECIFICATIONS AND CONFIGURATIONS AVAILABLE ON OUR WEBSITE



RUSSIA_Novosibirsk State University, Novosibirsk